



X-ALMOR MOBILE FLOOR STAND CASSETTE HOLDER

- IDEAL FOR PORTABLE X-RAYS
- COUNTERBALANCED - ONE HAND OPERATION
- ADJUSTABLE FOR MOST CASSETTE SIZES

These mobile floor stand cassette holders are ideally suited for use with portable X-Ray units. The 475 cassette holder will accommodate all cassette sizes from eight to seventeen inches in either direction. The 475M is designed to accept all cassette sizes up to a 14"x36".

The sturdy floor stand is constructed of heavy gauge steel with a cast aluminum top and base. Wheels mounted to the rear of the base provide complete mobility when the stand is tilted backwards. Leveling screws are provided to assure firm floor contact for complete stability when unit is in use.

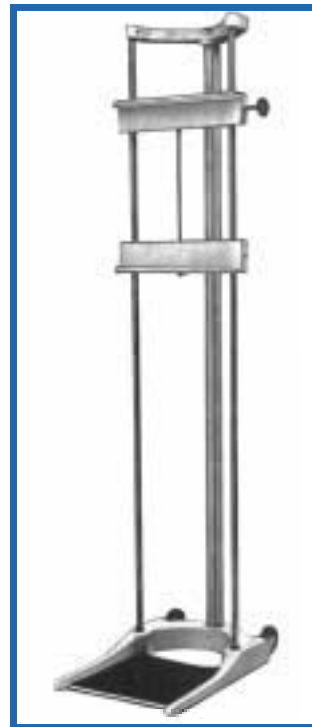
Features include: a chin rest, vertical counterbalancing, adjustable cassette channels, vertical lock, stainless steel vertical travel rods and grid channels for a stationary grid.

Finish: light grey baked enamel.

MOBILE FLOOR STAND CASSETTE HOLDER

CASSETTE FORMAT	TRAVEL	EXTERIOR DIM.		DEPTH OF BASE	APPROX. SHIP WT	CATALOG NO.
		WIDTH	HGT			
8x10" thru 14x17"	42"	15"	69.75"	22.75"	110 lbs	475
8x10" thru 14x36"	23"	15"	69.75"	22.75"	110 lbs	475M

MAXIMUM OPENING FOR GRID - .187"



X-ALMOR MOBILE TILTING CASSETTE HOLDER

- HOLDS CASSETTES IN ANY POSITION
- MULTIPLE APPLICATIONS
- COUNTERBALANCED - ONE HAND OPERATION
- ADJUSTABLE FOR MOST CASSETTE SIZES (UP TO 14x17")
- LOAD FROM EITHER SIDE

The 480 mobile tilting cassette holder is designed to go anywhere and hold a cassette in any position.

Features include: 58" vertical counterbalanced travel, 180° tilt capability, 360° rotation, telescopes to a forward extension of 22", accepts cassette sizes up to 14"x17", chin rest, a positive locking system and channels for a stationary grid.

The mobile stand is constructed of heavy gauge steel with a cast aluminum body and stainless steel vertical travel rods. The base which measures 16.5" wide and 24" deep is mounted on a set of hard rubber casters which provide complete mobility. A brake system on the rear casters allows the holder to be locked after positioning.

Finish: light grey baked enamel.

MOBILE TILTING FLOOR STAND CASSETTE HOLDER

CASSETTE FORMAT	TRAVEL	EXTERIOR DIM.		DEPTH OF BASE	APPROX. SHIP WT	CATALOG NO.
		WIDTH	HGT			
8x10" thru 14x17"	58"	16.5"	64.5"	24"	129 lbs	480

MAXIMUM OPENING FOR GRID - .187"



CASSETTE HOLDERS