

PBL WALL CASSETTE HOLDERS



This cassette holder is certified equipment. It can be used in certified or non-certified installations when installer complies with appropriate regulations.

- SOLID STATE INTERFACE LOGIC
- COUNTERBALANCED - ONE HAND OPERATION
- 3 OR 4 SIZE FORMATS
- LEFT OR RIGHT HAND LOAD
- 32", 44" OR 56" TRAVEL

These certified wall cassette holders are designed for the heavy duty use of a large hospital but priced to satisfy the small radiology department. Built-in PBL compatibility is automatic and instantaneous. The unique S&S flipper design makes changing cassette sizes nearly effortless.

Sturdy box girder construction, nylon bearings, dual lock system, constant torque counterbalances and chrome plated steel tubes give these cassette holders their unique quality.

These cassette holders are easy to use. A cassette simply slides into the track, and it's ready. Height can be adjusted from either the right or left side with one hand; the counterbalances do the work. Cassette sizes can easily be changed by lifting one of the flippers and sliding in a new cassette. As the cassette slides into place, it passes across several ball activated microswitches in the bottom track.

Each cassette size sets up its own circuit path and, in conjunction with a built-in solid state interface, sets the collimator for the cassette in use. [**Important Note: CASSETTE HOLDERS ARE SUPPLIED COMPLETE WITH INTERFACE LOGIC FOR MOST TYPES OF COLLIMATORS. WHEN ORDERING PLEASE SPECIFY NAME AND TYPE OF COLLIMATOR BEING USED.**] No exposure will be permitted if the cassette is not fully inserted or if an unauthorized size is inserted. Adjustable grid channels are provided to allow use of a 14"x17" (15"x18" OD) stationary grid.

Finish: light grey baked enamel.

PBL WALL CASSETTE HOLDER

DEPTH : 7.25"

CASSETTE FORMAT				EXTERIOR DIM.			APPROX.	CATALOG
RIGHT HAND LOADING				TRAVEL	WIDTH	HGT	SHIP WT	NO.
14x17"	17x14"	10x12"		32"	21"	61"	60 lbs	222210
14x17"	17x14"	10x12"	8x10"	32"	21"	61"	62 lbs	222450
14x17"	17x14"	8x10"		32"	21"	61"	54 lbs	222400
14x17"	17x14"	10x12"		44"	21"	73"	67 lbs	222220
14x17"	17x14"	10x12"	8x10"	44"	21"	73"	67 lbs	222470
14x17"	17x14"	8x10"		44"	21"	73"	65 lbs	222430
14x17"	17x14"	10x12"		56"	21"	85"	76 lbs	222221
14x17"	17x14"	10x12"	8x10"	56"	21"	85"	76 lbs	222471
14x17"	17x14"	8x10"		56"	21"	85"	76 lbs	222431
LEFT HAND LOADING								
14x17"	17x14"	10x12"		32"	21"	61"	62 lbs	222230
14x17"	17x14"	10x12"	8x10"	32"	21"	61"	60 lbs	222460
14x17"	17x14"	8x10"		32"	21"	61"	54 lbs	222420
14x17"	17x14"	10x12"		44"	21"	73"	65 lbs	222240
14x17"	17x14"	10x12"	8x10"	44"	21"	73"	67 lbs	222480
14x17"	17x14"	8x10"		44"	21"	73"	65 lbs	222440
14x17"	17x14"	10x12"		56"	21"	85"	76 lbs	222241
14x17"	17x14"	10x12"	8x10"	56"	21"	85"	76 lbs	222481
14x17"	17x14"	8x10"		56"	21"	85"	76 lbs	222441

MAXIMUM OPENING FOR GRID - .312"

WALL CASSETTE HOLDERS

FOR USE WITH NON-PBL SYSTEMS *

EXTRA HEAVY DUTY
COUNTERBALANCED - ONE HAND OPERATION
ADJUSTABLE FOR CASSETTE SIZES UP TO 14"x17" OR 14"x36"
LOAD FROM EITHER SIDE

These Extra Heavy Duty deluxe cassette holders are designed to accommodate any size cassette up to 14"x17" (222070) or 14"x36" (222070M)

Simple, durable and cost effective, these wall cassette holders are certified for use in general purpose x-ray rooms that **do not have PBL** (positive beam limitation) capability.

Heavy duty box girder construction is used for the cassette holder carriages and the top wall mounting bracket.

Heavy gauge chrome plated steel tubes provide a smooth non-binding surface for the nylon carriage bearings. Constant torque counterbalancing springs allow effortless vertical movement. The dual locking system enables the operator to adjust the vertical positioning of the cassette carriage with one hand from either side of the patient.

Both models are equipped with adjustable grid channels to accept a stationary grid.

The 222070 has a maximum vertical travel of 47" when a 14"x17" cassette is used and the 222070M has a maximum vertical travel of 28" when a 14"x36" cassette is used.

*** Important Note:**

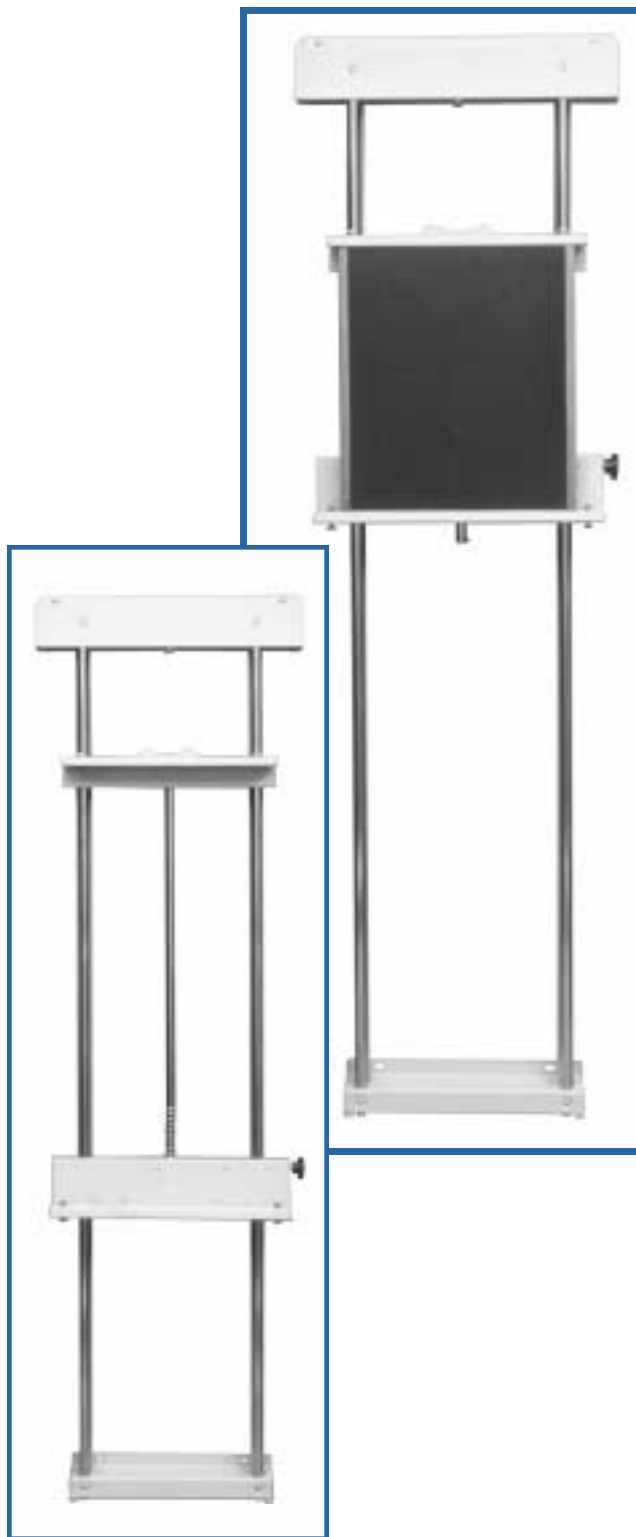
REGULATIONS REQUIRE THAT THESE CASSETTE HOLDERS BE REMOVED FROM SERVICE SHOULD PBL BE ADDED TO SYSTEM AT A LATER DATE.

Finish: light grey baked enamel with chrome plated steel tubes.

WALL MODEL EXTRA HEAVY DUTY CASSETTE HOLDER

CASSETTE FORMAT	EXTERIOR DIM.				APPROX. SHIP WT	CATALOG NO.
	TRAVEL	WIDTH	HGT	DEPTH		
5x7" thru 14x17"	47"	21"	72"	6"	70 lbs	222070
5x7" thru 14x36"	28"	21"	72"	6"	70 lbs	222070M

MAXIMUM OPENING FOR GRID - .312"



CASSETTE HOLDERS

WALL & FLOOR CASSETTE HOLDERS

FOR USE WITH NON-PBL SYSTEMS *



No. 130A Shown with option 133



No. 132 Floor Model Cassette Holder

- COUNTERBALANCED - ONE HAND OPERATION
- CHOICE OF WALL OR FLOOR MODELS
- ADJUSTABLE FOR ALL CASSETTE SIZES
- LOAD FROM EITHER SIDE

Here are simple, cost effective wall cassette holders certified for use in general purpose x-ray rooms that *do not* have PBL (Positive Beam Limitations) capability.

These counterbalanced, effortless all steel cassette holders are designed for ease of movement and finger tip adjustments. All models are supplied with a chin rest and a positive locking system.

Models 130A and 132 are adjustable to accept cassette sizes from 5"x7" up to 14"x17". The model 131A will accept all sizes up to 14"x36". All models also have independent adjustable grid channels.

The **Floor Model Cassette Holder** (model 132) uses model 130A mounted to a sturdy chrome plated steel vertical column and secured to a base constructed of heavy gauge steel with a non-slip rubber top. The base measures 14"W. x 19"L. x 2.5" H. The overall height of the complete unit is 73".

***Important Note:**

REGULATIONS REQUIRE THAT THESE CASSETTE HOLDERS BE REMOVED FROM SERVICE SHOULD PBL BE ADDED TO SYSTEM AT A LATER DATE.

WALL MODEL CASSETTE HOLDER

CASSETTE FORMAT	TRAVEL	EXTERIOR DIM.		APPROX. SHIP WT	DEPTH: 5"
		WIDTH	HGT		CATALOG NO.
5x7" thru 14x17"	22"	14.5"	47"	15 lbs	130A
5x7" thru 14x17"	33"	14.5"	66"	24 lbs	131A

MAXIMUM OPENING FOR GRID - .562"

FLOOR MODEL CASSETTE HOLDER

CASSETTE FORMAT	TRAVEL	EXTERIOR DIM.		APPROX. SHIP WT	OVERALL HEIGHT: 73"
		WIDTH	HGT		CATALOG NO.
5x7" thru 14x17"	22"	14.5"	47"	70 lbs.	132
	DEPTH	WIDTH	HGT		
Base Dim.	19.25"	13.75"	2.5"		

MAXIMUM OPENING FOR GRID - .562"

Finish: light grey baked enamel with chrome plated steel tubes.

Optional Items: 133: A convenient height scale to assist in aligning X-Ray tube to cassette. (for model 130A only) (approx. ship. wt. 6 lbs.)

14"x36" HEAVY DUTY WALL CASSETTE HOLDERS

- CERTIFIED FOR USE WITH ALL X-RAY SYSTEMS
- EXTRA HEAVY DUTY CONSTRUCTION
- COUNTERBALANCED - DUAL LOCK SYSTEM
- 24" OR 38" TRAVEL
- LOAD FROM EITHER SIDE

Designed specifically for 14"x36" cassettes, this heavy duty cassette holder is unequalled in construction and performance. Heavy duty box girder construction is used for the cassette holder carriage and the top and bottom wall mounting brackets. Heavy gauge chrome plated steel tubes provide a smooth non-binding surface for the nylon carriage rollers.

Constant torque counterbalancing springs allow effortless vertical movement. The dual locking system enables the operator to adjust vertical positioning of the cassette carriage with one hand from either side of the patient. Adjustable grid channels are provided to accept a stationary grid.

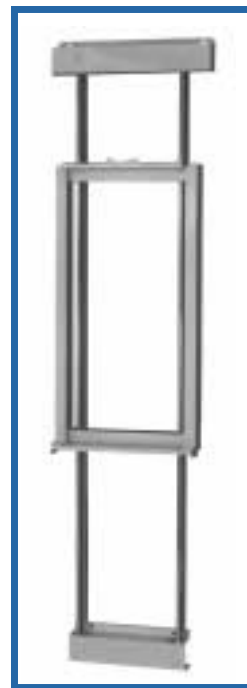
Two lengths of travel are available. The standard length is 24". For weight bearing studies we manufacture the 38" extended travel model.

Finish: light grey baked enamel.

WALL MODEL EXTRA HEAVY DUTY CASSETTE HOLDER

CASSETTE FORMAT	TRAVEL	EXTERIOR DIM.			APPROX. SHIP WT	CATALOG NO.
		WIDTH	HGT	DEPTH		
14" x 36"	24"	21"	71"	7.25"	80 lbs	222080
14" x 36"	38"	21"	85"	7.25"	90 lbs	222090

MAXIMUM OPENING FOR GRID - .25"



MOTORIZED CASSETTE HOLDERS

- EFFORTLESS POSITIONING OF HEAVY CASSETTES
- TWO SPEED MOTOR
- ELECTRONIC DIGITAL HEIGHT SCALE
- AVAILABLE FOR 14" x 51" OR 14" x 36" CASSETTES
- LOAD FROM EITHER SIDE

Effortless positioning of the cassette in this motorized cassette holder is achieved by simply pressing the buttons that operate the two-speed motor to raise or lower it. The high speed permits fast positioning, the low speed allows fine adjustment. At a point three inches from the floor it stops to enable the operator to set the lower speed to continue to the floor slowly to avoid collisions. This allows an image to be taken from the floor up. The extra long travel achieves a maximum height of 83" above the floor.

This unique cassette holder is equipped with an *electronic digital height scale*, which is switchable between inches and centimeters, to further simplify its use.

Finish: light grey baked enamel.

MOTORIZED CASSETTE HOLDER

CASSETTE FORMAT	TRAVEL	EXTERIOR DIM.			APPROX. SHIP WT	CATALOG NO.
		WIDTH	HGT	DEPTH		
14" x 51"	83"	21.125"	83"	7	230 lbs	222110
14" x 36"	83"	21.125"	83"	7	230 lbs	222120

MAXIMUM OPENING FOR GRID - 3.12"



Optional Items: 474-1451 **Cassette Adapter:** Allows a 222110 (14"x51" Cassette Holder) to accept a 14"x36" cassette - see page C - 7

X-ALMOR TABLE TOP CASSETTE HOLDER



- DESIGNED FOR CROSS TABLE WORK
- LIGHT IN WEIGHT
- STURDY CONSTRUCTION
- EASY TO USE

These strong table top holders are ideal for myelograms, skulls, AP-PA pelvic x-ray exams, and other cross-table examinations. The 490 will accept any size cassette thru 14"x17"x.75" thick. The 490EW has extra wide 1" channels for use with a stationary grid.

Both models have top stainless steel cassette channel guides that lift vertically to allow easy removal or insertion of cassettes. Stability is provided by the large aluminum base (12"x18") and sturdy design.

Finish: light grey baked enamel.

TABLE TOP CASSETTE HOLDER

APPROX SHIP WT	CATALOG NO.
10 lbs	490
10 lbs	490EW

X-ALMOR WALL CASSETTE HOLDERS

FOR USE WITH NON-PBL SYSTEMS*



- ADJUSTABLE FOR CASSETTES UP TO 14" x 17"
- COUNTERBALANCED - ONE HAND OPERATION
- LOAD FROM EITHER SIDE

Model 425 is an adjustable wall cassette holder that will accept all cassette sizes up to 14"x17". Contoured chin rest, grid channels, counterbalanced vertical travel and a positive locking knob are standard features in the model.

Sturdy all metal construction includes cast aluminum wall mounting brackets, stainless steel vertical travel rods and a heavy gauge steel cassette carriage.

***Important Note:**

REGULATIONS REQUIRE THAT THESE CASSETTE HOLDERS BE REMOVED FROM SERVICE SHOULD PBL BE ADDED TO SYSTEM AT A LATER DATE.

Finish: light grey baked enamel.

Optional Item: Cat. No. 605: Five foot stainless steel rods for additional travel.

WALL MODEL CASSETTE HOLDER

CASSETTE FORMAT	EXTERIOR DIM.			APPROX. SHIP WT	CATALOG NO.
	TRAVEL	WIDTH	HGT		
Up to 14" x 17"	19.5"	17"	37"	18 lbs	425

MAXIMUM OPENING FOR GRID - .187"



X-ALMOR MOBILE FLOOR STAND CASSETTE HOLDER

- IDEAL FOR PORTABLE X-RAYS
- COUNTERBALANCED - ONE HAND OPERATION
- ADJUSTABLE FOR MOST CASSETTE SIZES

These mobile floor stand cassette holders are ideally suited for use with portable X-Ray units. The 475 cassette holder will accommodate all cassette sizes from eight to seventeen inches in either direction. The 475M is designed to accept all cassette sizes up to a 14"x36".

The sturdy floor stand is constructed of heavy gauge steel with a cast aluminum top and base. Wheels mounted to the rear of the base provide complete mobility when the stand is tilted backwards. Leveling screws are provided to assure firm floor contact for complete stability when unit is in use.

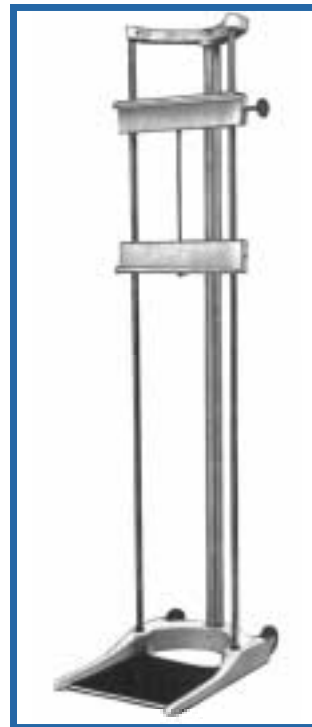
Features include: a chin rest, vertical counterbalancing, adjustable cassette channels, vertical lock, stainless steel vertical travel rods and grid channels for a stationary grid.

Finish: light grey baked enamel.

MOBILE FLOOR STAND CASSETTE HOLDER

CASSETTE FORMAT	TRAVEL	EXTERIOR DIM.		DEPTH OF BASE	APPROX. SHIP WT	CATALOG NO.
		WIDTH	HGT			
8x10" thru 14x17"	42"	15"	69.75"	22.75"	110 lbs	475
8x10" thru 14x36"	23"	15"	69.75"	22.75"	110 lbs	475M

MAXIMUM OPENING FOR GRID - .187"



X-ALMOR MOBILE TILTING CASSETTE HOLDER

- HOLDS CASSETTES IN ANY POSITION
- MULTIPLE APPLICATIONS
- COUNTERBALANCED - ONE HAND OPERATION
- ADJUSTABLE FOR MOST CASSETTE SIZES (UP TO 14x17")
- LOAD FROM EITHER SIDE

The 480 mobile tilting cassette holder is designed to go anywhere and hold a cassette in any position.

Features include: 58" vertical counterbalanced travel, 180° tilt capability, 360° rotation, telescopes to a forward extension of 22", accepts cassette sizes up to 14"x17", chin rest, a positive locking system and channels for a stationary grid.

The mobile stand is constructed of heavy gauge steel with a cast aluminum body and stainless steel vertical travel rods. The base which measures 16.5" wide and 24" deep is mounted on a set of hard rubber casters which provide complete mobility. A brake system on the rear casters allows the holder to be locked after positioning.

Finish: light grey baked enamel.

MOBILE TILTING FLOOR STAND CASSETTE HOLDER

CASSETTE FORMAT	TRAVEL	EXTERIOR DIM.		DEPTH OF BASE	APPROX. SHIP WT	CATALOG NO.
		WIDTH	HGT			
8x10" thru 14x17"	58"	16.5"	64.5"	24"	129 lbs	480

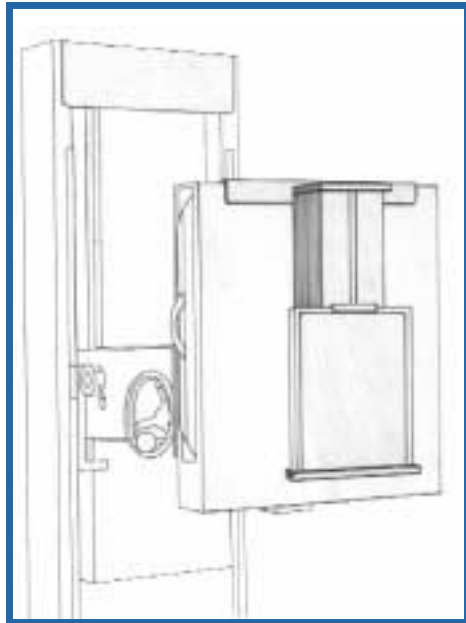
MAXIMUM OPENING FOR GRID - .187"



CASSETTE HOLDERS

X-ALMOR PORTABLE HANG ON CASSETTE HOLDER

FOR USE WITH NON PBL SYSTEMS *



- FITS MOST WALL MOUNTED BUCKYS
- ALL STAINLESS STEEL CONSTRUCTION
- ADJUSTABLE FOR MOST CASSETTE SIZES
- LOAD FROM EITHER SIDE

The 460 portable hang on cassette holder will fit most vertical wall mounted buckys. With the Hang On Cassette Holder positioned on the front panel of the bucky, non-bucky exposures can be made.

To use simply hang the top mounting bracket of the holder over the top of the bucky. There is no need for tools or fasteners of any kind. With the holder in position on the front panel of the bucky, the top cassette channel lifts vertically to allow easy removal or insertion of 8"x10" to 14"x17" cassettes. If required, permanently mounted grid channels will accommodate a stationary grid. The entire unit is constructed of polished stainless steel.

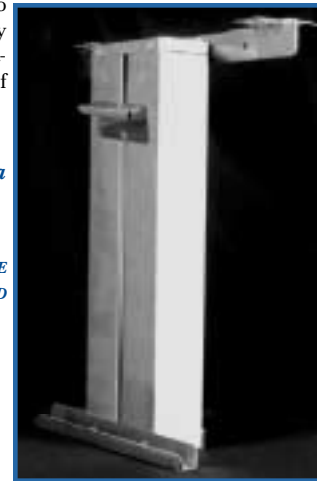
SPECIFY DEPTH OF BUCKY WHEN ORDERING

The 460 Hang on adapter is to be used only as a portable device.

***Important Note:**

REGULATIONS REQUIRE THAT THESE CASSETTE HOLDERS BE REMOVED FROM SERVICE SHOULD PBL BE ADDED TO SYSTEM AT A LATER DATE.

Finish: polished stainless steel.

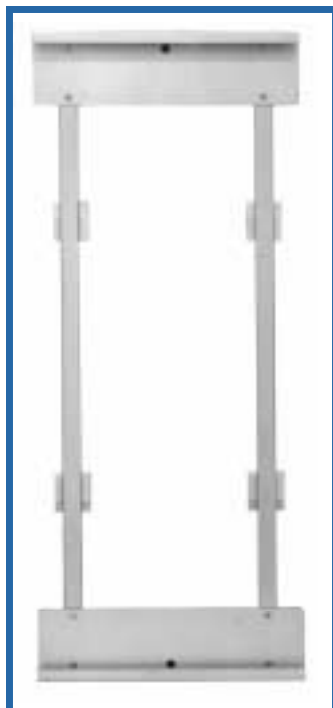


460 PORTABLE HANG ON CASSETTE HOLDER

CASSETTE FORMAT	EXTERIOR DIM.			APPROX. SHIP WT	CATALOG NO.
	WIDTH	HGT	DEPTH		
8x10" thru 14x17"	18"	20.75"	4.375"	10 lbs	460

MAXIMUM OPENING FOR GRID - .187"

X-ALMOR 14"X36" ADAPTER SERIES



No. 474

- PORTABLE
- CONVERTS MOST CASSETTE HOLDERS
- ALUMINUM/STEEL CONSTRUCTION
- GRID CHANNELS
- LOAD FROM EITHER SIDE

This series enables your present cassette holder (or bucky) to accept a 14"x36" cassette and grid. The 474 is constructed of aluminum upright supports with glides which will fit most cassette holders. Simply set your holder for a 14"x17" cassette and slide the adapter into your holder as you would a cassette. Grid channels which will accept a 14"x36" stationary grid of .187" maximum thickness are built into the adapter.

The 474-1451 is the same as above but adapts our 222110 motorized 14"x51" cassette holder to accept 14"x36" cassette and grid.

The 474M is constructed of aluminum with steel brackets for hanging on to the front of a 14"x17" bucky.

SPECIFY DEPTH OF BUCKY WHEN ORDERING.

Finish: white.

14"x36" ADAPTER FOR	EXTERIOR DIMENSIONS			APPROX. SHIP WT	CATALOG NO.
	WIDTH	HGT	DEPTH		
14x17" Cassette Holder	15"	37.5"	3.25	12 lbs	474
14x51" Cassette Holder	15"	37.5"	3.25	15 lbs	474-1451
14x17" Bucky	15"	37.5"	ADJ	12 lbs	474M