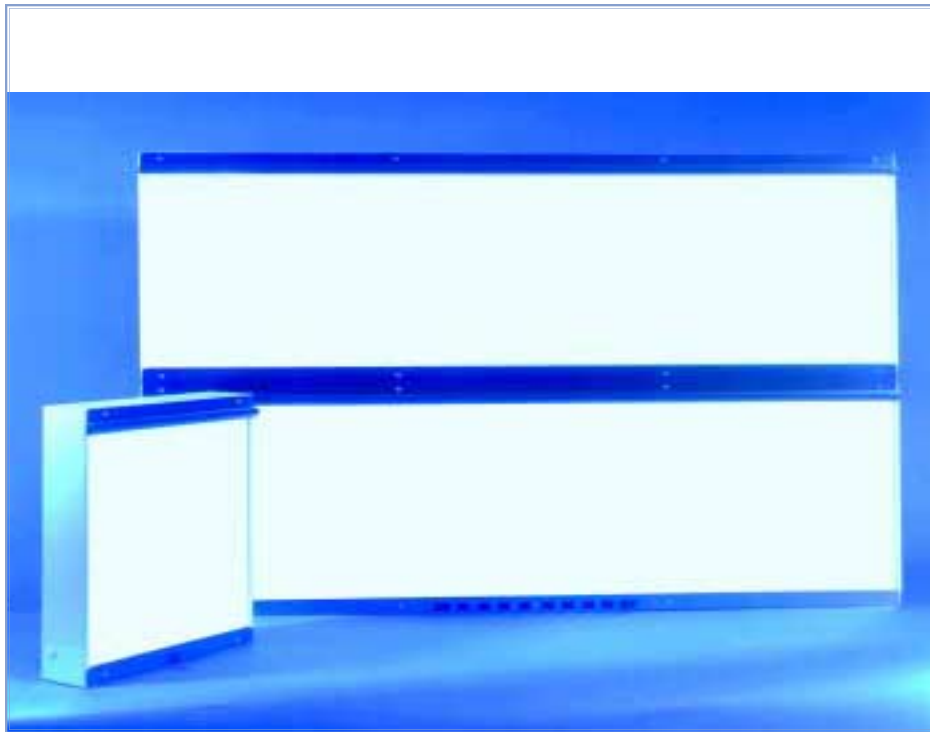


# 2000 / 3000 / 4000 SERIES SURFACE OR RECESSED



The 2000/3000/4000/ Series **Illuminators** incorporate the most popular illuminator features, and *maintain our high quality standards*. Trigger start ballasts, internal dividers, centered cluster switches, one piece plexiglass fronts and continuous stainless steel gravity grips are supplied as standard with these illuminators. The special design of the 2000/3000/4000 series minimizes the space between the bottom of the viewing area and the bottom of the illuminator, leaving room underneath the illuminator for the ever present stack of x-ray studies.

The **4000 Illuminator Series** provides exceptionally bright lighting with four F15T8/D 15 watt daylight fluorescent tubes per 14"x17" viewing area.

The **3000 Illuminator Series** has three F15T8/D 15 watt daylight fluorescent tubes per 14"x17" viewing area.

The **2000 Illuminator Series** has two F15T8/D 15 watt daylight fluorescent tubes per 14"x17" viewing area.

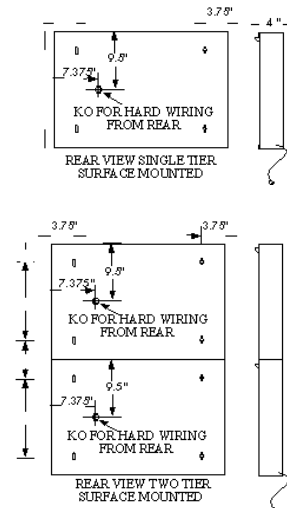
A **bottom ledge film support** coupled with the continuous stainless steel **gravity grip** guarantees maximum freedom for viewing small or large films. Each section is individually controlled by rocker switches mounted at the bottom center of the illuminator. Master switches are provided on units of three banks or more.

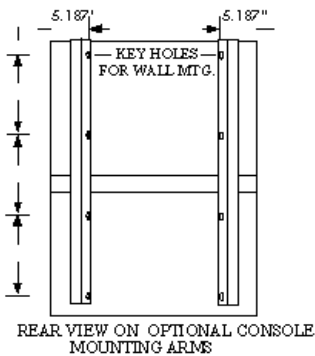
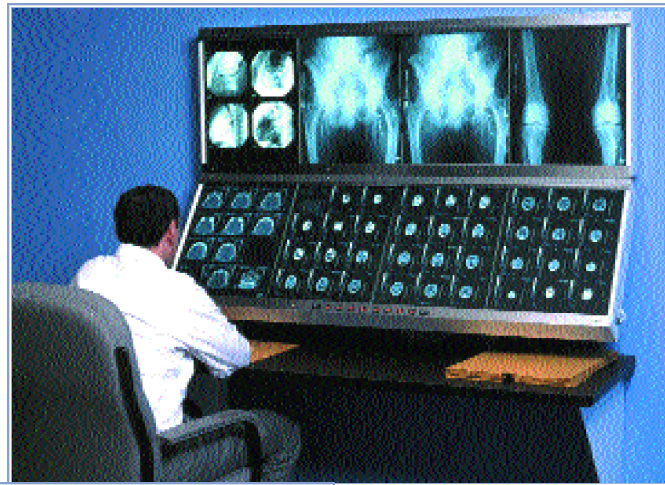
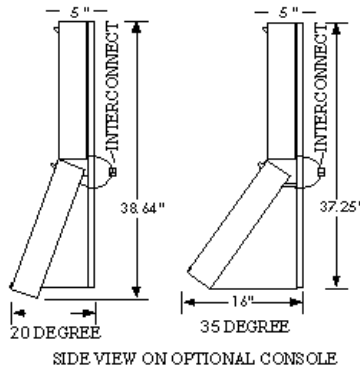
The illuminator is fabricated of steel with unibody construction and is designed to eliminate light leakage from seams and edges. Recessed models have welded recessing flanges and BX connector. Optional stainless steel recessing flanges are available upon request at the time of order.

### DESK OR SURFACE MOUNTED MODELS

DEPTH OF VIEWERS: 4"			2000 SERIES TWO LAMP		3000 SERIES THREE LAMP		4000 SERIES FOUR LAMP		
VIEWING AREA	EXTERIOR DIM WIDTH	HGT	APPROX. SHIP WT	STANDARD SWITCHES	AUTO SWITCHES	STANDARD SWITCHES	AUTO SWITCHES	STANDARD SWITCHES	AUTO SWITCHES
Single Bank 14"x17"	14.75"	19.156"	23 lbs	200001	200021	300001	300021	400001	400021
Two Bank 28"x17"	28.75"	19.156"	39 lbs	200002	200022	300002	300022	400002	400022
Three Bank 42"x17"	42.75"	19.156"	50 lbs	200003	200023	300003	300023	400003	400023
Four Bank 56"x17"	56.75"	19.156"	70 lbs	200004	200024	300004	300024	400004	400024
Five Bank 70"x17"	70.75"	19.156"	98 lbs	200005	200025	300005	300025	400005	400025
Six Bank 84"x17"	84.75"	19.156"	115 lbs	200006	200026	300006	300026	400006	400026
<b>TWO TIER</b>									
1 over 1 2 x 14"x17"	14.75"	38.312"	60 lbs	200011	200031	300011	300031	400011	400031
2 over 2 2 x 28"x17"	28.75"	38.312"	100 lbs	200012	200032	300012	300032	400012	400032
3 over 3 2 x 42"x17"	42.75"	38.312"	130 lbs	200013	200033	300013	300033	400013	400033
4 over 4 2 x 56"x17"	56.75"	38.312"	180 lbs	200014	200034	300014	300034	400014	400034
5 over 5 2 x 70"x17"	70.75"	38.312"	230 lbs	200015	200035	300015	300035	400015	400035
6 over 6 2 x 84"x17"	84.75"	38.312"	290 lbs	200016	200036	300016	300036	400016	400036

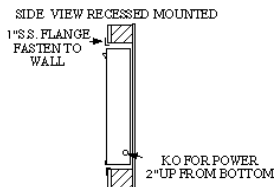
ALL MEASUREMENTS ARE ± 1/16"





Surface mount: 400014 - Shown with 140272 Console Arms on custom made shelf and brackets.

Surface mount: 200014 - Shown with 140103 Mobile Stand, 140110 pull-out shelf, 140111 shallow drawer, 140112 hinged recorder shelf, 188SM side mounted Bright Spot, and 140279 Angulated Viewing System



**RECESSED MODELS**

VIEWING AREA	EXTERIOR DIM		WALL OPENING		APPROX SHIP WT	2000 SERIES TWO LAMP		3000 SERIES THREE LAMP		4000 SERIES FOUR LAMP	
	WIDTH	HGT	WIDTH	HGT		STANDARD SWITCHES	AUTO SWITCHES	STANDARD SWITCHES	AUTO SWITCHES	STANDARD SWITCHES	AUTO SWITCHES
Single Bank 14"x17"	14.75"	19.156"	15.25"	19.656"	23 lbs	200041	200061	300041	300061	400041	400061
Two Bank 28"x17"	28.75"	19.156"	29.25"	19.656"	39 lbs	200042	200062	300042	300062	400042	400062
Three Bank 42"x17"	42.75"	19.156"	43.25"	19.656"	50 lbs	200043	200063	300043	300063	400043	400063
Four Bank 56"x17"	56.75"	19.156"	57.25"	19.656"	70 lbs	200044	200064	300044	300064	400044	400064
Five Bank 70"x17"	70.75"	19.156"	71.25"	19.656"	98 lbs	200045	200065	300045	300065	400045	400065
Six Bank 84"x17"	84.75"	19.156"	85.25"	19.656"	115 lbs	200046	200066	300046	300066	400046	400066
<b>TWO TIER</b>											
1 over 1 2 x 14"x17"	14.75"	38.312"	15.25"	38.812"	60 lbs	200051	200071	300051	300071	400051	400071
2 over 2 2 x 28"x17"	28.75"	38.312"	29.25"	38.812"	100 lbs	200052	200072	300052	300072	400052	400072
3 over 3 2 x 42"x17"	42.75"	38.312"	43.25"	38.812"	130 lbs	200053	200073	300053	300073	400053	400073
4 over 4 2 x 56"x17"	56.75"	38.312"	57.25"	38.812"	180 lbs	200054	200074	300054	300074	400054	400074
5 over 5 2 x 70"x17"	70.75"	38.312"	71.25"	38.812"	230 lbs	200055	200075	300055	300075	400055	400075
6 over 6 2 x 84"x17"	84.75"	38.312"	85.25"	38.812"	290 lbs	200056	200076	300056	300076	400056	400076

ALL MEASUREMENTS ARE ± 1/16"

**Finish:** White Baked Enamel, Stainless Steel Trim (welded on recessing flanges are white baked enamel)

**Electrical:** Viewers operate on 120 volt, 60 Hz. **2000 Series:** .47 amps per section, **3000 series:** .61 amps per section, **4000 series:** 1.0 amps per section. Surface mounting models are supplied with a 6' three conductor line cord (see diagram for wiring locations). Recessed models come with BX connectors. For special voltages consult factory.

\* **Optional Items:** Modular Mobile system (pg B-23), mobile stand, console arms, angulated viewing system (pg B-25) corner modules (pg B-24), hospital grade plugs (pg B-30).