



Two Tier (149016) shown on Modular mobile System (with 168005 - formica top; two 168010 - bases with vertical partitions and 168039 - mounting arms-adj. 0° to 35°)

SURFACE MODELS

DEPTH OF VIEWER - 4.875"
 VIEWING AREA
 (MAXIMUM FILM CONFIGURATION)

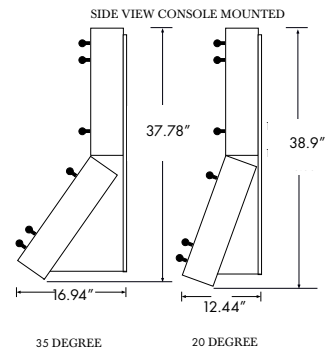
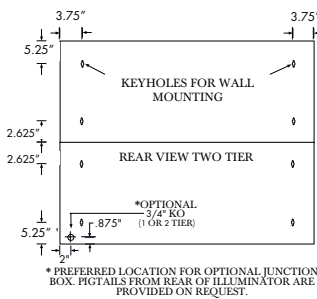
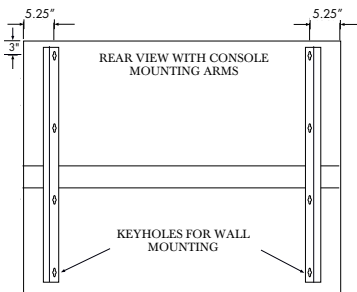
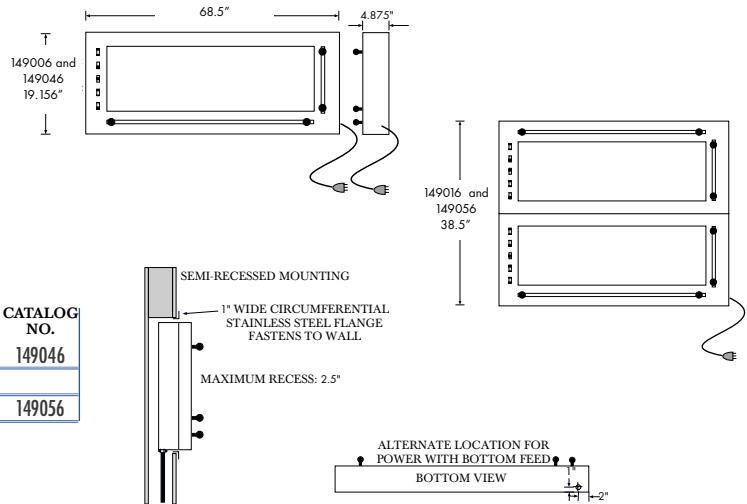
	EXTERIOR DIM		APPROX. SHIP WT	CATALOG NO.
	WIDTH	HGT		
(6x)24x30cm or (8x)18x24cm	68.5"	19.156"	140 lbs	149006
TWO TIER				
(12x)24x30cm or (16x)18x24cm	68.5"	38.5"	240 lbs	149016

SEMI-RECESSED MODELS

MAXIMUM RECESS - 2.5" IN WALL
 VIEWING AREA
 (MAXIMUM FILM CONFIGURATION)

	EXTERIOR DIM		WALL OPENING		APPROX. SHIP WT	CATALOG NO.
	WIDTH	HGT	WIDTH	HGT		
(6x)24x30cm or (8x)18x24cm	68.5"	19.156"	68.75"	19.4"	140 lbs	149046
TWO TIER						
(12x)24x30cm or (16x)18x24cm	68.5"	38.5"	68.75"	38.75"	240 lbs	149056

ALL MEASUREMENTS ARE ± 1/16"



Finish: White baked enamel (on cold rolled steel).

Electrical: Viewers operate on 120 volt, 60 Hz; 1.6 Amps AC. Surface mount models are supplied with a 6' three conductor line cord (see diagram for wiring locations). Recessed models come with BX connectors. For special voltages consult factory.

* **Optional Items:** Modular Mobile System, console arms, angulated viewing system, 68H custom formica shelf & 68HB wall mounting bracket, hospital grade plugs