

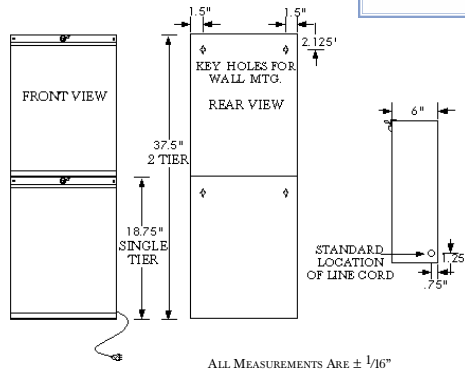
Ideal for **desk top** or **wall mounting**, the 460 Thin Line Series (where thin line refers to the width of the side walls of this illuminator) is equipped with rubber feet properly balanced to sit safely on a desk. The key holed back makes it extremely simple to mount on a wall. Preheat ballasts, one piece plexiglass fronts and stainless steel *gravity grips* are supplied as standard with this series. A bottom ledge film support coupled with the stainless steel gravity grip guarantees maximum freedom for viewing small or large films. Each section is individually controlled by an on/off switch mounted on the top front center of each section. Each 14"x17" viewing section is illuminated by two F15T8/D daylight fluorescent bulbs.

Thin side walls allow banking with minimum interruption between viewing sections.

SURFACE AND DESK MOUNT

DEPTH OF VIEWERS: 6"

VIEWING AREA	EXTERIOR DIM		APPROX. SHIP WT	CATALOG NO.
	WIDTH	HGT		
Single Bank 14"x17"	14"	18.75"	21 lbs	460A
Two Bank 28"x17"	28"	18.75"	42 lbs	460D2
Three Bank 42"x17"	42"	18.75"	60 lbs	460D3
Four Bank 56"x17"	56"	18.75"	80 lbs	460D4
Five Bank 70"x17"	70"	18.75"	125 lbs	460D5
Six Bank 84"x17"	84"	18.75"	140 lbs	460D6
TWO TIER				
1 over 1 2x 14"x17"	14"	37.5"	62 lbs	460E1
2 over 2 2x 28"x17"	28"	37.5"	104 lbs	460E2
3 over 3 2x 42"x17"	42"	37.5"	140 lbs	460E3
4 over 4 2x 56"x17"	56"	37.5"	180 lbs	460E4
5 over 5 2x 70"x17"	70"	37.5"	230 lbs	460E5
6 over 6 2x 84"x17"	84"	37.5"	260 lbs	460E6



Finish: Light Grey Baked Enamel
Electrical: Viewers operate on 120 volt, 60 Hz, .75 Amps AC per viewing area. Supplied with a 6' three conductor line cord (see diagram for wiring locations). For special voltages consult factory.

* **Optional Items:** Trigger start ballast, automatic switches, dual intensity illumination (pg B-17), switch boxes, hospital grade plugs (pg B-30), handles for carrying (for one or two bank illuminator) consult factory.

WET FILM OR COUNTER TOP RECESSED VIEWER

Specially designed for viewing **wet film** or **flat mounting in a counter top**. The body of the illuminator is constructed of either **stainless steel** or **painted steel**. When wall mounting for wet film use, the *plexiglass front extends .5" beyond the sides and bottom* of the illuminator. *Two hanger hooks* are supplied for wet film viewing. For flat mounting (recessing into a counter top) the oversized plexiglass is recessed flush with the counter top to allow for ease of marking film and viewing film without loss of valuable counter space. Two F15T8/D daylight fluorescent bulbs and built in reflectors produce bright uniform illumination.

VIEWING AREA	EXTERIOR DIM		PLEXIDIM.		APPROX. SHIP WT	CATALOG NO.	
	WIDTH	HGT	WIDTH	HGT		ENAMEL	STAINLESS STEEL
Single Bank 14"x17"	15.5"	18.5"	16.5"	19"	19 lbs	202A	202S

ALL MEASUREMENTS ARE $\pm 1/16"$

202A shown with optional Drip Tray



Finish: Light Grey baked enamel or polished stainless steel
Electrical: Viewers operate on 120 volt, 60 Hz, .75 Amps AC per viewing area. Supplied with a 6' three conductor line cord. For special voltages consult factory.

* **Optional Item:** Drip Tray (cat. # 404) approx. ship. weight 2 Lbs.

