

DELUXE 470 SERIES



ILLUMINATORS

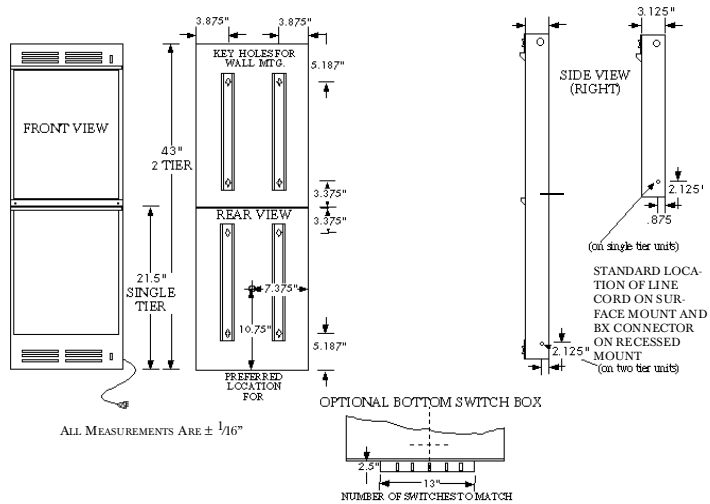


An exceptionally bright illuminator ideal for installations that require minimum projection the Deluxe 470 is only 3.125" deep. Each 14"x17" viewing area is illuminated by four F15T8/D 15 watt daylight fluorescent bulbs and is controlled by its own individual on/off rocker switch. All units are supplied with internal dividers to prevent light spillover. Panoramic reflectors (without dividers) can be provided upon request (at time of order). A gravity film grip, extending the full width of the illuminator, holds the top of the film firmly in place, while a film retainer ledge supports film at the bottom of the viewing area. Each tier has a one piece plexiglass viewing panel.

The 470 Deluxe series is constructed of 18 gauge cold rolled steel. Multiple bank units incorporate unibody construction, not a series of single units bolted together. Each tier has steel channel reinforcement of the rear section. Recessed models come complete with recessing flanges, finished in white baked enamel, permanently welded to the case. Holes are provided in the flange for ease of mounting.

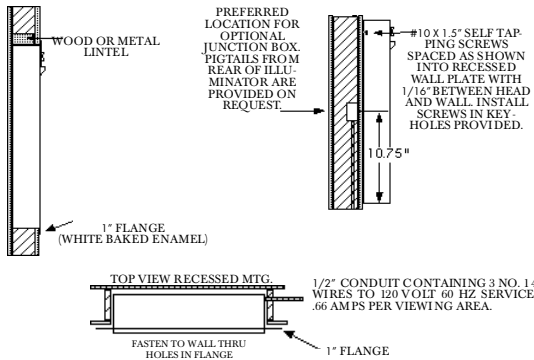
SURFACE MOUNTED MODELS

DEPTH OF VIEWERS: 3.125"		EXTERIOR DIM		CATALOG NO.	
VIEWING AREA	WIDTH	HGT	APPROX. SHIP WT	STANDARD SWITCHES	AUTO SWITCHES
Single Bank	14"x17"	14.75"	21.5"	25 lbs	106010 106110
Two Bank	28"x17"	28.75"	21.5"	50 lbs	106020 106120
Three Bank	42"x17"	42.75"	21.5"	75 lbs	106030 106130
Four Bank	56"x17"	56.75"	21.5"	100 lbs	106040 106140
Five Bank	70"x17"	70.75"	21.5"	125 lbs	1060150 106150
Six Bank	84"x17"	84.75"	21.5"	150 lbs	106060 106160
TWO TIER					
1 over 1	2x 14"x17"	14.75"	43.125"	50 lbs	107010 107110
2 over 2	2x 28"x17"	28.75"	43.125"	100 lbs	107020 107120
3 over 3	2x 42"x17"	42.75"	43.125"	150 lbs	107030 107130
4 over 4	2x 56"x17"	56.75"	43.125"	200 lbs	107040 107140
5 over 5	2x 70"x17"	70.75"	43.125"	250 lbs	107050 107150
6 over 6	2x 84"x17"	84.75"	43.125"	300 lbs	107060 107160



RECESSED MODELS

VIEWING AREA		EXTERIOR DIM		WALL OPENING		CATALOG NO.	
Single Bank	Two Bank	Three Bank	Four Bank	Five Bank	Six Bank	STANDARD SWITCHES	AUTO SWITCHES
14"x17"	28"x17"	42"x17"	56"x17"	70"x17"	84"x17"	25 lbs	106210 106310
28"x17"	28.75"	42.75"	56.75"	70.75"	84.75"	50 lbs	106220 106320
42"x17"	42.75"	42.75"	56.75"	70.75"	84.75"	75 lbs	106230 106330
56"x17"	56.75"	56.75"	56.75"	70.75"	84.75"	100 lbs	106240 106340
70"x17"	70.75"	70.75"	70.75"	70.75"	84.75"	125 lbs	106250 106350
84"x17"	84.75"	84.75"	84.75"	84.75"	84.75"	150 lbs	106260 106360
TWO TIER							
1 over 1	2 x 14"x17"	14.75"	43.125"	15"	43.375"	50 lbs	107210 107310
2 over 2	2 x 28"x17"	28.75"	43.125"	29"	43.375"	100 lbs	107220 107320
3 over 3	2 x 42"x17"	42.75"	43.125"	43"	43.375"	150 lbs	107230 107330
4 over 4	2 x 56"x17"	56.75"	43.125"	57"	43.375"	200 lbs	107240 107340
5 over 5	2 x 70"x17"	70.75"	43.125"	71"	43.375"	250 lbs	107250 107350
6 over 6	2 x 84"x17"	84.75"	43.125"	85"	43.375"	300 lbs	107260 107360



Finish: Interiors, backs and sides are finished in white baked enamel. Fronts are polished stainless steel.

Electrical: Viewers operate on 120 volt, 60 Hz, 1.06 Amps AC per viewing area. Surface mounting models are supplied with a 6' three conductor line cord (see diagram for wiring locations). Recessed models come with BX connectors. For special voltages consult factory.

* **Optional Items:** hospital grade plugs, switch boxes, 68H custom formica shelf & 68HB wall mounting bracket (pg. B-30) Modular Mobile system (pg. B-23), mobile stand, console arms, angulated viewing system (pg. B-25), hinge kits and corner modules (pg. B-24).