

Mammography Digital Viewing Station



Mammography Digital Viewing Station (MDVS), consists of the MS-400DVS as shown on top of the DVS-2-MS.

Mammography

Digital Viewing Station

The **Mammography Digital Viewing Station (MDVS)** is designed for departments converting to digital Mammography, as an efficient workstation to compare new digital studies and previous hard copy films.

Mammography films are mounted on a motorized viewer directly above the monitors. The viewing station incorporates a single motorized film belt on the upper tier and capable of accomodating up to four CRT/Flat Panel Monitors depending on size embedded in the lower section.

The single motorized film belt has a capacity of 400 (24x30cm) films or 600 (18x24cm) films. The luminance exceeds the ACR recommendations for interpreting Mammography images. The MDVS features external horizontal shades and automated internal vertical shades for efficient film- masking. The intuitive control panel is mounted on an adjustable arm for added convenience. The auto-select and footswitch features allow for rapid effortless film retrieval. A unique RS232 interface allows for seamless integration to CAD.

The large desk-top surface minimizes clutter and two pull-out writing shelves allow the user an abundance of work space. Four convenient power receptacles are present for dictaphone, laptop or other auxilliary power requirements. The DVS-2-MS was designed to afford the user ample leg room for a comfortable work area optimized for close, detail viewing.

SPECIFICATIONS

MS400DVS-D1

Dimensions (inches)

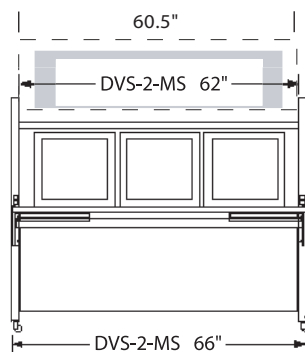
Height.....	20.25
Width.....	60.50
Depth.....	24.125

Capacity

Films.....	400 (24 x 30 cm)
	600 (18 x 24 cm)

Approx Ship Weight (lbs)..... 320

* Heavy duty casters optional.

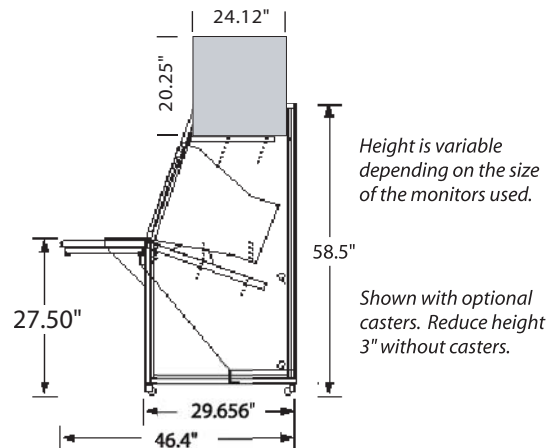


DVS2-MS

Dimensions (inches)

Height.....	58.50
Width.....	.66
Depth.....	46.40 w/shelf

* Height is variable depending on the size of the monitors used.



MS400DVS-D1

Power Requirements

120 vac/60hz -10 amp
Heat Output - 2000 BTU / Hr Max.

DVS-2-MS

Power Requirements

120 volts / 60 hz - 10 amp (MAX)



Catalog #: 08-01096

Includes MS400DVS-DI viewer and the DVS-2-MS unit. When ordering, please reference the above catalog number.